

# Installation Instructions: 11415

## T-Pro Wattage Switchable CCT UGR <19 Panel

Date	Revision
13.09.23	1

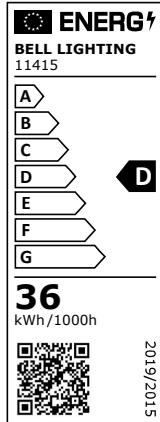
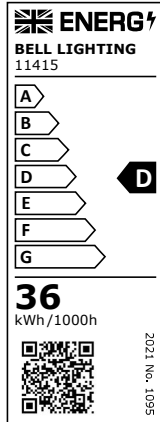
### Important Information

We recommend that luminaires are installed by a qualified electrician ensuring the installation complies with current IEE wiring regulations BS7671:2018 & local building control.

- All tests should be carried out in accordance to EN 50172:2004.
- BELL will not accept responsibility for any claims arising from a poor installation.

This product may contain substances that can be hazardous to the environment if not disposed of properly. Electrical and electronic equipment should never be disposed of with general household waste but must be separated for its correct treatment and recovery.

Where possible recycle your packaging.

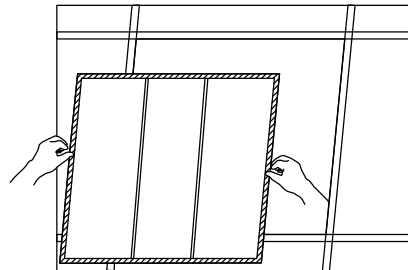


Read these instructions before installation and retain for future reference

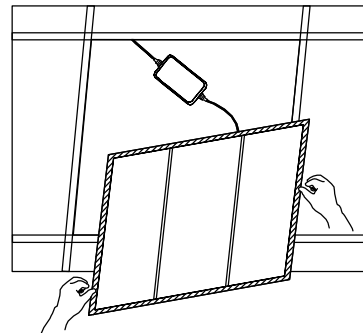
This equipment should be installed by a competent electrician



### Recessed



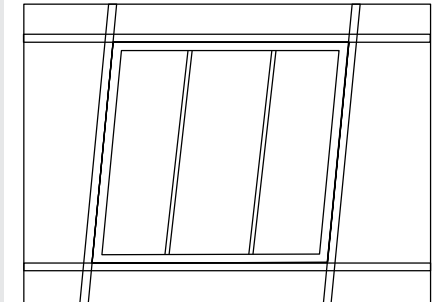
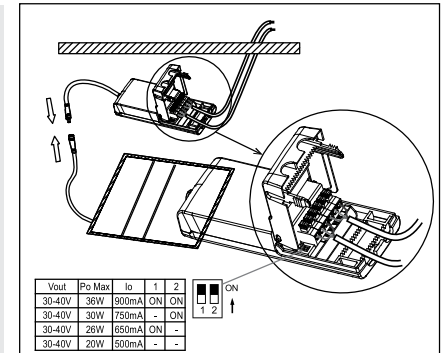
① Remove the ceiling plaster slab.



② Feed the main AC wire in driver terminal block respectively, connect the panel light and driver.

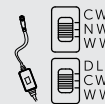
③ Fix the panel light into plaster ceiling.

④ Make sure the led panel light is firmly fixed, turn on the power.



For color changeable model (controlled by Slide Switch in lamp), please select light color before installation, see below picture.

Choose color by slide switch with corresponding color temperature.



Technical Helpline +44 (0)1924 893380

www.bellighting.co.uk

British Electric Lamps Ltd  
Unit A Foxbridge Way, Normanton Industrial Estate  
Normanton, West Yorkshire. WF6 1TN

T: +44 (0)1924 893380 F: +44 (0)1924 894320 E: sales@bellighting.co.uk

www.bellighting.co.uk